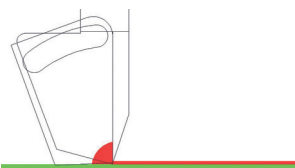
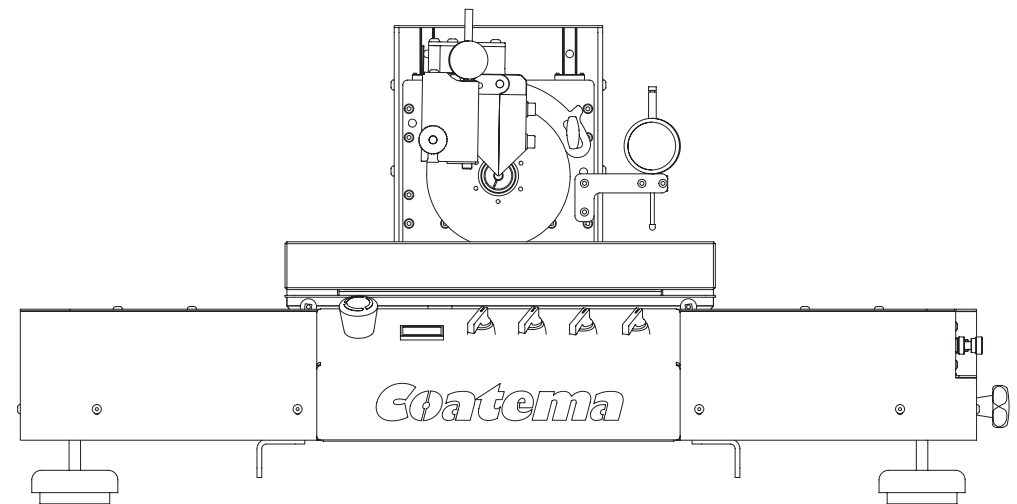


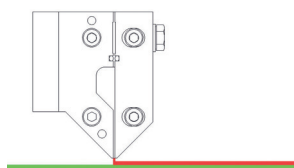
Test Solution Coater

Facts

Coating	Knife / Commabar / Slot die
✓ Working width	DIN A4 – 297 mm x 210 mm
✓ Operating speed	0 – 4 m/min
✓ Weight	60 kg
✓ Power supply	230 V, 50 Hz
✓ Power consumption	20 W
✓ Layout	IP54
✓ Dimensions (LxWxH)	1,100 mm x 580 mm x 530 mm



Doctor blade coating



Slot die coating